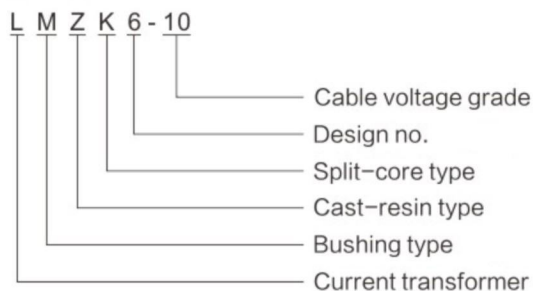




### Meaning of Model

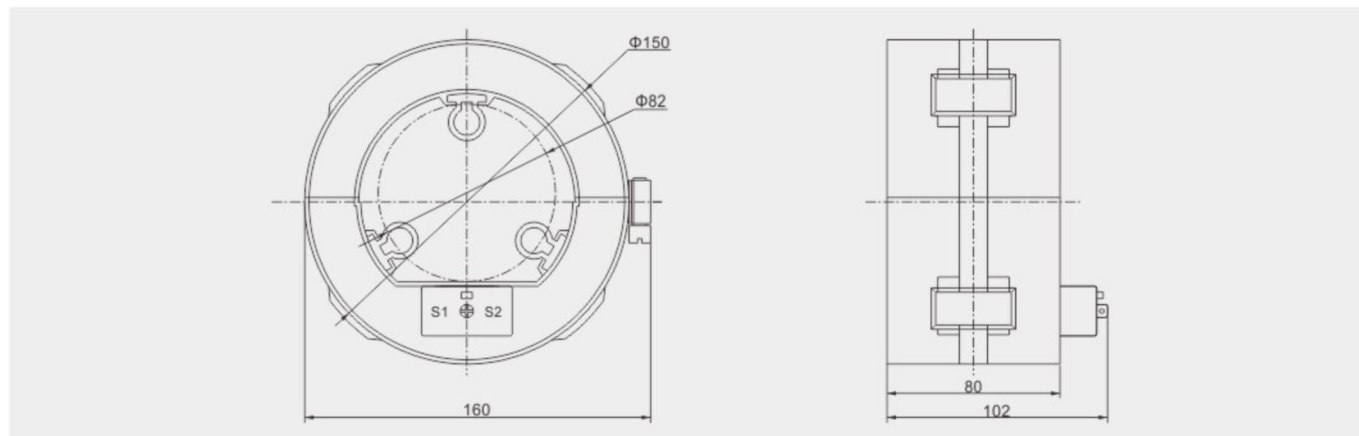


### Technical data

Rated secondary current : 5A or 1A  
 Rated frequency : 50Hz or 60Hz  
 Rated continuous thermal current : 120%I<sub>n</sub>  
 Power factor of load : COSΦ=0.8(lag)  
 Power frequency withstand voltage : 3kV 1min  
 Environment temperature : -5℃~+40℃  
 Average daily temperature : ≤35℃  
 Altitude : ≤1000m  
 Pollution level : II  
 Product standard : GB20840.1、GB20840.2

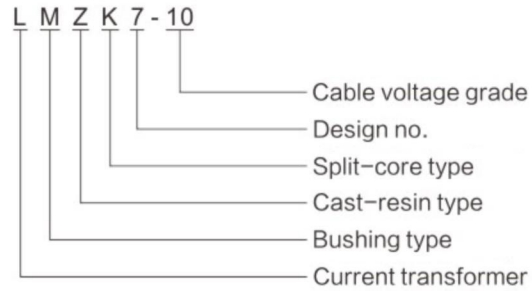
Use	Measuring current transformer			Protection current transformer		Double winding current transform				
	Accuracy class and rated load (VA)			Accuracy class and rated load (VA)		Accuracy class and rated load (VA)				
Rated primary current (A)	0.5	1	3	10P10	10P5	0.5	1	3	10P10	10P5
50			2.5		1					
75			2.5		2.5			1		1
100		2.5		1			1.5			1.5
150		5		1.5			2.5			2.5
200		7.5		2.5			2.5			2.5
300	7.5			3.75		2.5			2.5	
400	10			5		2.5			2.5	
500	20			5		2.5			2.5	
600	25			5		2.5			2.5	

### Overall dimension drawing





### Meaning of Model



### Technical data

Rated secondary current : 5A or 1A  
 Rated frequency : 50Hz or 60Hz  
 Rated continuous thermal current : 120%I<sub>n</sub>  
 Power factor of load : COSΦ=0.8(lag)  
 Power frequency withstand voltage : 3kV 1min  
 Environment temperature : -5℃~+40℃  
 Average daily temperature : ≤35℃  
 Altitude : ≤1000m  
 Pollution level : II  
 Product standard : GB20840.1、GB20840.2

Use	Measuring current transformer			Protection current transformer		Double winding current transformer				
	Accuracy class and rated load (VA)			Accuracy class and rated load (VA)		Accuracy class and rated load (VA)				
Rated primary current (A)	0.5	1	3	10P10	10P5	0.5	1	3	10P10	10P5
50			2.5	1				1		1
75			5	1.5				1.5		1.5
100		2.5		2.5				2.5		2.5
150		5		2.5			1.5		1.5	
200		7.5		3.75			1.5		1.5	
300	10			5		2.5			2.5	
400	15			7.5		3.75			3.75	
500	20			10		5			5	
600	30			12.5		5			5	

### Overall dimension drawing

