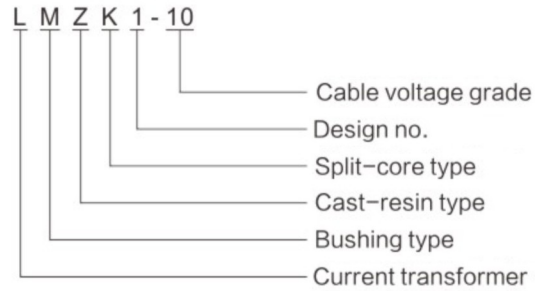




### Meaning of Model

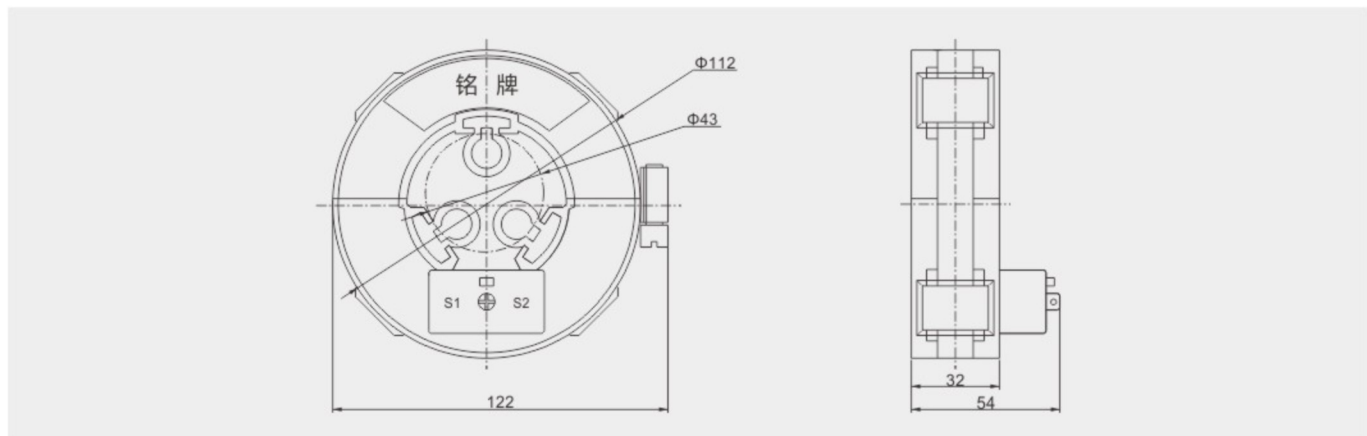


### Technical data

Rated secondary current : 5A or 1A  
 Rated frequency : 50Hz or 60Hz  
 Rated continuous thermal current : 120%I<sub>n</sub>  
 Power factor of load : COSΦ=0.8(lag)  
 Power frequency withstand voltage : 3kV 1min  
 Environment temperature : -5℃~+40℃  
 Average daily temperature : ≤35℃  
 Altitude : ≤1000m  
 Pollution level : II  
 Product standard : GB20840.1、GB20840.2

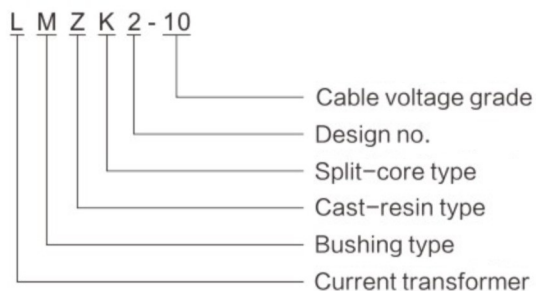
Use	Measuring current transformer			Protection current transformer	
	Accuracy class and rated load (VA)			Accuracy class and rated load (VA)	
Rated primary current (A)	0.5	1	3	10P10	10P5
50					
75			1.5		
100			1.5		
150		1.5			
200		2.5			1.5
300	2.5				1.5
400	2.5				1.5
500	2.5				1.5
600	2.5				2.5

### Overall dimension drawing





■ Meaning of Model

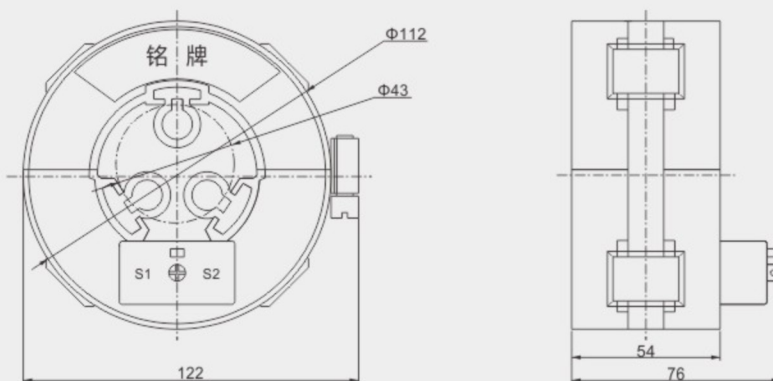


■ Technical data

Rated secondary current : 5A or 1A  
 Rated frequency : 50Hz or 60Hz  
 Rated continuous thermal current : 120%I<sub>n</sub>  
 Power factor of load : COSΦ=0.8(lag)  
 Power frequency withstand voltage : 3kV 1min  
 Environment temperature : -5℃~+40℃  
 Average daily temperature : ≤35℃  
 Altitude : ≤1000m  
 Pollution level : II  
 Product standard : GB20840.1、GB20840.2

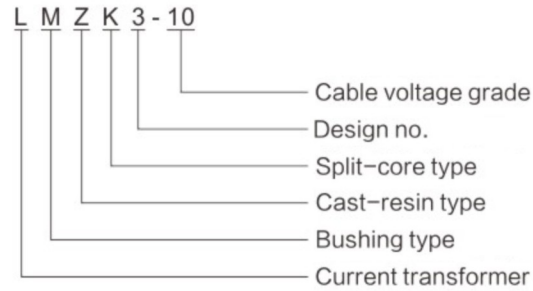
Use	Measuring current transformer			Protection current transforme.	
	Accuracy class and rated load (VA)			Accuracy class and rated load (VA)	
Rated primary current (A)	0.5	1	3	10P10	10P5
50			1.5		
75			2.5		
100		2.5			1.5
150		3.75			1.5
200		5		1.5	
300	5			1.5	
400	7.5			1.5	
500	10			1.5	
600	15			1.5	

■ Overall dimension drawing





### Meaning of Model



### Technical data

Rated secondary current : 5A or 1A  
 Rated frequency : 50Hz or 60Hz  
 Rated continuous thermal current : 120%I<sub>n</sub>  
 Power factor of load : COSΦ=0.8(lag)  
 Power frequency withstand voltage : 3kV 1min  
 Environment temperature : -5℃~+40℃  
 Average daily temperature : ≤35℃  
 Altitude : ≤1000m  
 Pollution level : II  
 Product standard : GB20840.1、GB20840.2

Use	Measuring current transformer		Protection current transformer		Double winding current transform					
	Accuracy class and rated load (VA)		Accuracy class and rated load (VA)		Accuracy class and rated load (VA)					
Rated primary current (A)	0.5	1	3	10P10	10P5	0.5	1	3	10P10	10P5
50			3.75		1.5			1		1
75			5	1.5				1.5		1.5
100		5		1.5			1.5			1.5
150		10		2.5			1.5		1.5	
200		15		2.5			2.5		2.5	
300	20			3.75		2.5			2.5	
400	30			5		2.5			2.5	
500	50			7.5		3.75			3.75	
600	60			10		5			5	

### Overall dimension drawing

