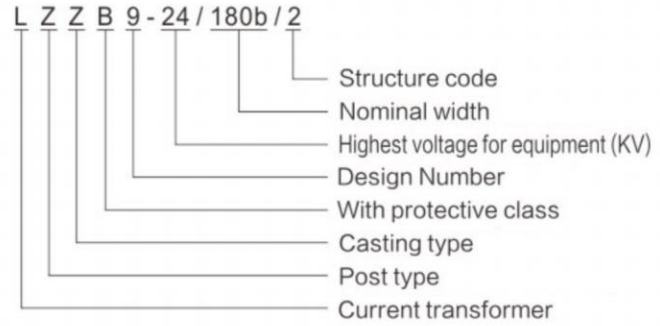




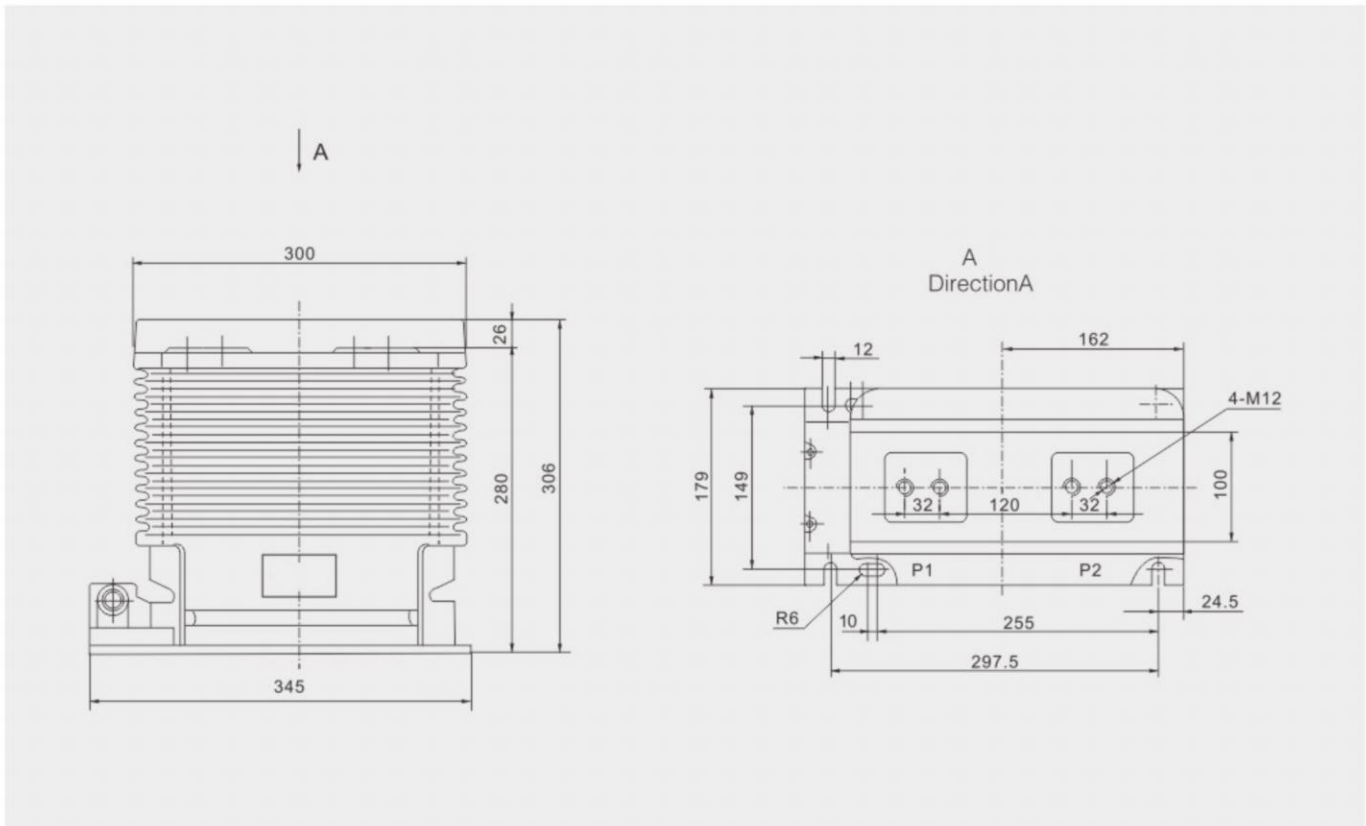
Meaning of Model



Technical data

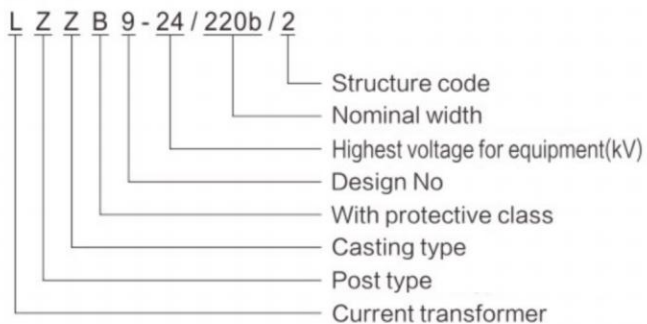
Rated primary current (A)	Accuracy classes combination	Rated secondary output(VA)				1s thermal current (kA)	Rated dynamic current (kA)
		0.2(S)	0.5(S)	10P10	10P15		
20-150	0.2(S)/0.2 0.2(S)/0.5	10	10	15	10	150I1n	375I1n
200						31.5	80
300-500	0.2(S)/10P10 0.5(S)/10P10	15	20	20	15	45	112.5
600、800						63	130
1000、1200	0.2(S)/10P15 0.5(S)/10P15	15	20	20	15	80	160

Overall dimension drawing





■ Meaning of Model



■ Technical data

Rated primary current (A)	Accuracy classes combination	Rated secondary output(VA)				1s thermal current (kA)	Rated dynamic current (kA)
		0.2(S)	0.5(S)	10P10	10P15		
20-150	0.2(S)/0.2 0.2(S)/0.5 0.2(S)/10P10 0.5(S)/10P10 0.2(S)/10P15 0.5(S)/10P15	10	10	15	10	15011n	37511n
200						31.5	80
300-500		45	112.5				
600、800		63	130				
1000、1200		80	160				
1500-2500		100	160				

■ Overall dimension drawing

