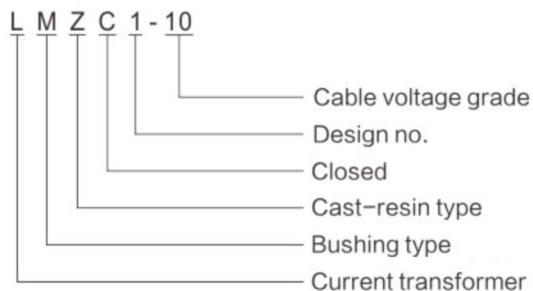


■ Meaning of Model

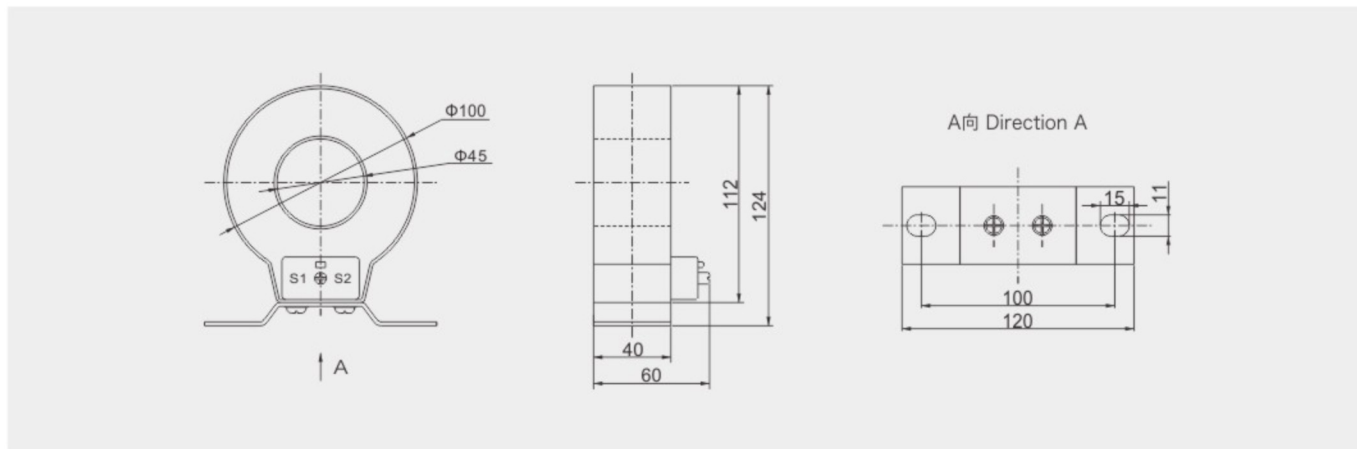


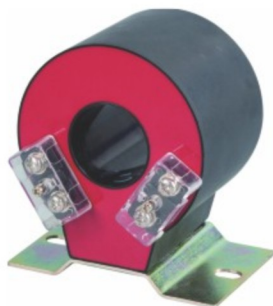
■ Technical data

Rated secondary current : 5A or 1A
 Rated frequency : 50Hz or 60Hz
 Rated continuous thermal current : 120%I_n
 Power factor of load : COSΦ=0.8(lag)
 Power frequency withstand voltage : 3kV 1min
 Environment temperature : -5℃~+40℃
 Average daily temperature : ≤35℃
 Altitude : ≤1000m
 Pollution level : II
 Product standard : GB20840.1、GB20840.2

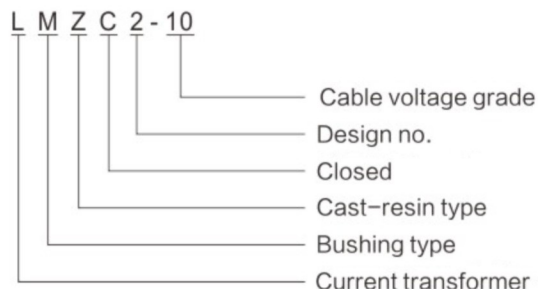
Use	Measuring current transformer				Protection current transformer	
	Accuracy class and rated load (VA)				Accuracy class and rated load (VA)	
Rated primary current (A)	0.2S	0.2	0.5S	0.5	10P10	10P5
50				1.5		
75		1.5	1.5	1.5		
100	2.5	2.5	2.5	2.5		1
150	3.75	3.75	3.75	3.75		2.5
200	5	5	5	5	1	
300	7.5	7.5	7.5	10	1.5	
400	7.5	7.5	5	20	1.5	
500	10	15	15	20	1.5	
600	15	25	20	30	2.5	

■ Overall dimension drawing





Meaning of Model

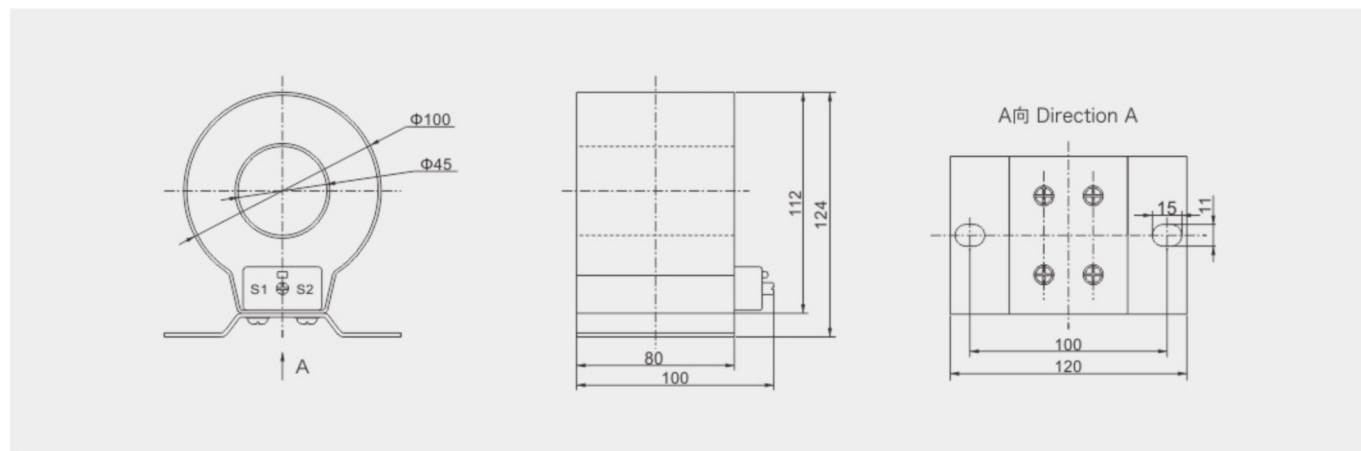


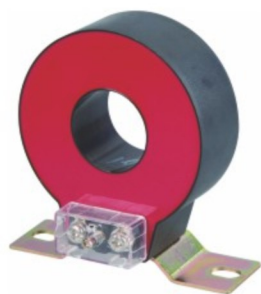
Technical data

Rated secondary current : 5A or 1A
 Rated frequency : 50Hz or 60Hz
 Rated continuous thermal current : 120%I_n
 Power factor of load : COSΦ=0.8(lag)
 Power frequency withstand voltage : 3kV 1min
 Environment temperature : -5℃~+40℃
 Average daily temperature : ≤35℃
 Altitude : ≤1000m
 Pollution level : II
 Product standard : GB20840.1、GB20840.2

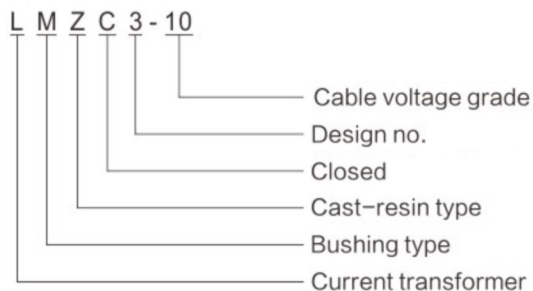
Use	Measuring current transformer				Protection current transformer		Double winding current transformer					
	Accuracy class and rated load (VA)				Accuracy class and rated load (VA)		Accuracy class and rated load (VA)					
Rated primary current (A)	0.2S	0.2	0.5S	0.5	10P10	10P5	0.2S	0.2	0.5S	0.5	10P10	10P5
50				2.5		1						
75		2.5	3.75	3.75	1			1	1	1		1
100	5	5	5	2.5	1.5			1.5	1.5	1.5		1.5
150	7.5	10	10	5	2.5		2.5	2.5	2.5	2.5		2.5
200	15	15	15	10	3.75		2.5	2.5	2.5	2.5		2.5
300	20	7.5	7.5	30	3.75		2.5	2.5	2.5	2.5	2.5	
400	30	20	15	60	5		2.5	2.5	2.5	2.5	2.5	
500	40	40	30	60	6.25		5	5	5	5	5	
600	50	60	60	60	7.5		5	5	5	5	5	

Overall dimension drawing





Meaning of Model

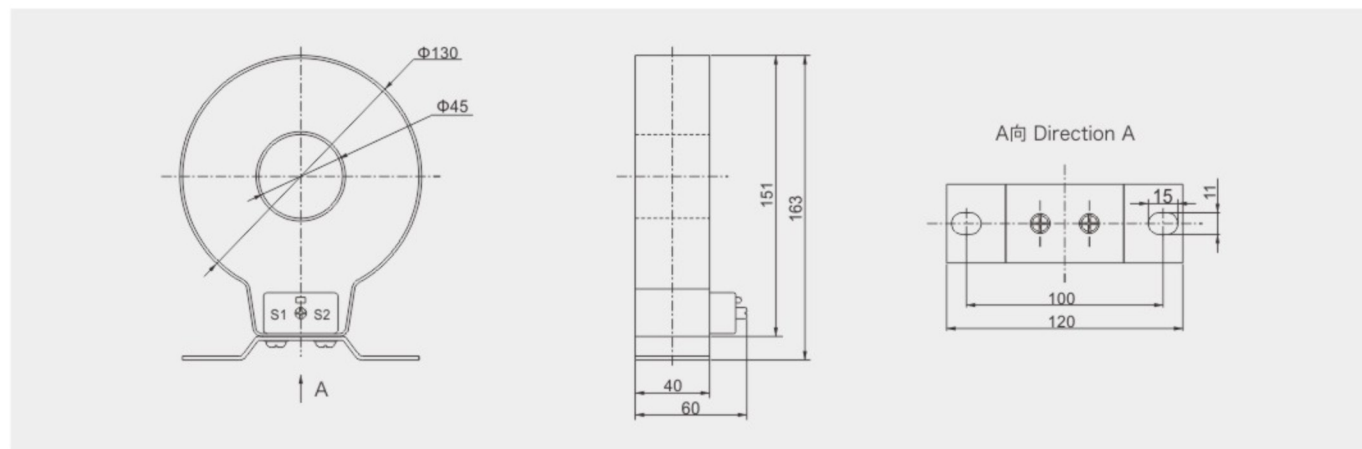


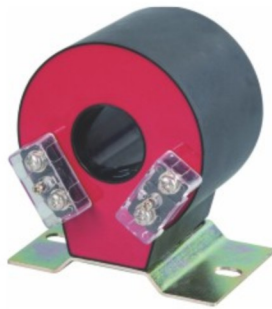
Technical data

- Rated secondary current : 5A or 1A
- Rated frequency : 50Hz or 60Hz
- Rated continuous thermal current : 120%I_n
- Power factor of load : COSΦ=0.8(lag)
- Power frequency withstand voltage : 3kV 1min
- Environment temperature : -5℃~+40℃
- Average daily temperature : ≤35℃
- Altitude : ≤1000m
- Pollution level : II
- Product standard : GB20840.1、GB20840.2

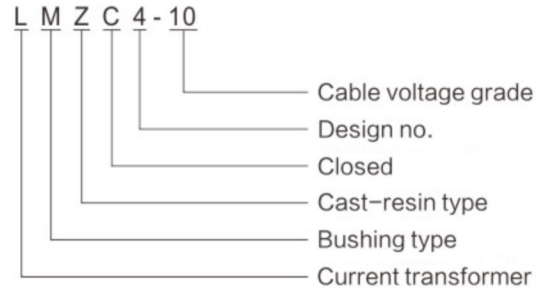
Use	Measuring current transformer				Protection current transformer	
	Accuracy class and rated load (VA)				Accuracy class and rated load (VA)	
Rated primary current (A)	0.2S	0.2	0.5S	0.5	10P10	10P5
50				2.5		1.5
75	1.5	5	5	5		1.5
100	1.5	6.25	6.25	6.25	1.5	
150	5	10	10	3.75	2.5	
200	12.5	12.5	12.5	7.5	2.5	
300	20	20	20	20	3.75	
400	25	10	10	40	5	
500	30	25	25	50	5	
600	40	30	50	60	7.5	

Overall dimension drawing





Meaning of Model

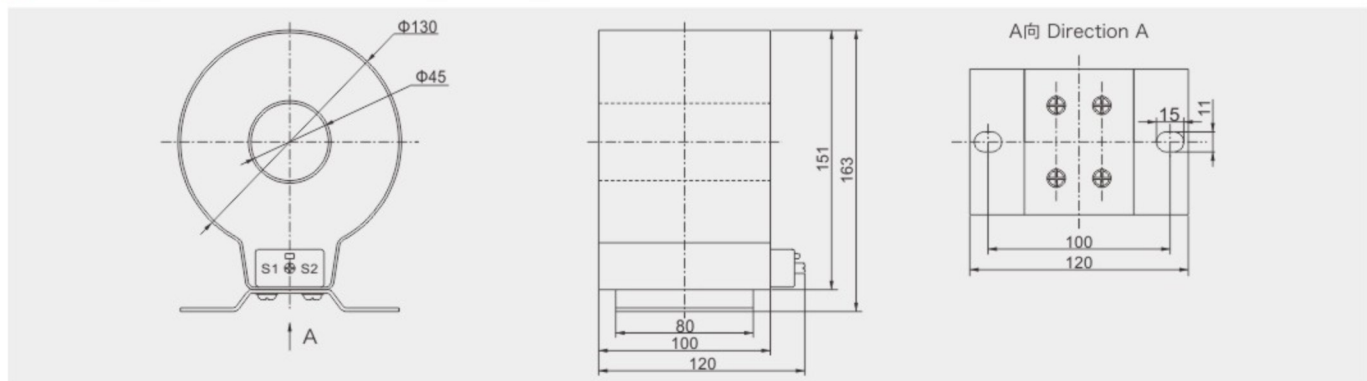


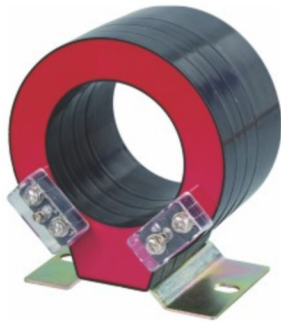
Technical data

- i Rated secondary current : 5A or 1A
- i Rated frequency : 50Hz or 60Hz
- i Rated continuous thermal current : 120%I_n
- ! Power factor of load : COSΦ=0.8(lag)
- : Power frequency withstand voltage : 3kV 1min
- ! Environment temperature : -5℃~+40℃
- ! Average daily temperature : ≤35℃
- ! Altitude : ≤1000m
- ! Pollution level : II
- j Product standard : GB20840.1、GB20840.2

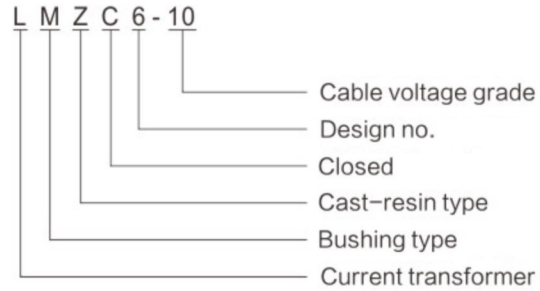
Use	Measuring current transformer				Protection current transformer		Double winding current transformer						
	Accuracy class and rated load (VA)				Accuracy class and rated load (VA)		Accuracy class and rated load (VA)						
	0.2S	0.2	0.5S	0.5	10P10	10P5	0.2S	0.2	0.5S	0.5	10P10	10P5	
30				3.75	1.5								
40			2.5	3.75	2.5								
50	1	1.5	3.75	5	2.5					2.5	2.5		
75	2.5	7.5	15	15	5			1.5	3.75	3.75	3.75		
100	5	20	20	20	5			5	5	5	5		
150	10	30	30	15	10		5	5	5	5	5		
200	40	40	40	25	15		7.5	7.5	7.5	7.5	7.5		
300	60	60	60	60	20		12.5	12.5	12.5	12.5	12.5		
400	100	40	40	100	25		15	15	15	15	15		
500	125	80	80	125	30		20	10	10	20	20		
600	150	100	100	150	40		20	20	20	25	25		

Overall dimension drawing





Meaning of Model

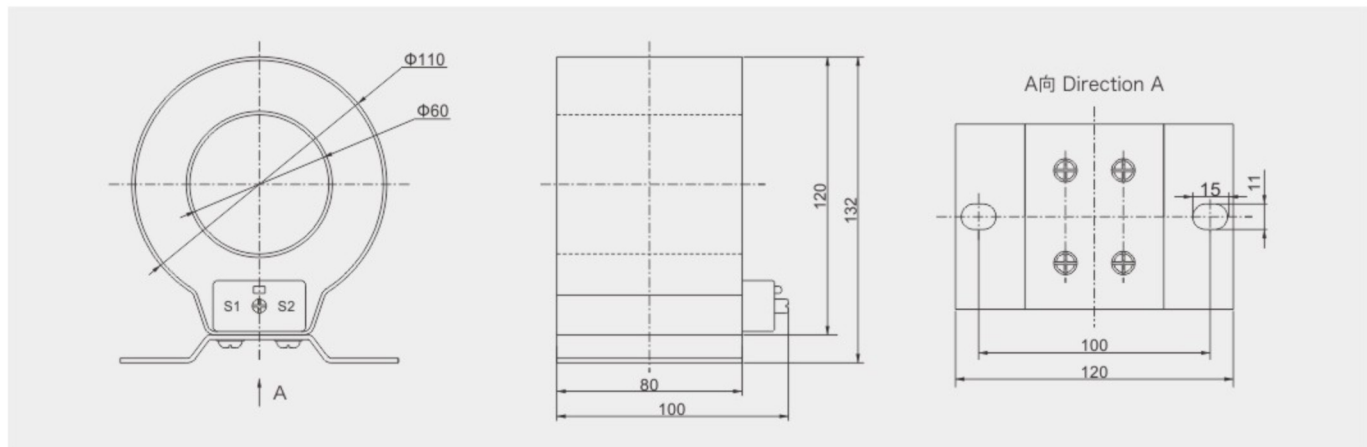


Technical data

Rated secondary current : 5A or 1A
 Rated frequency : 50Hz or 60Hz
 Rated continuous thermal current : 120%I_n
 Power factor of load : COSΦ=0.8(lag)
 Power frequency withstand voltage : 3kV 1min
 Environment temperature : -5℃~+40℃
 Average daily temperature : ≤35℃
 Altitude : ≤1000m
 Pollution level : II
 Product standard : GB20840.1、GB20840.2

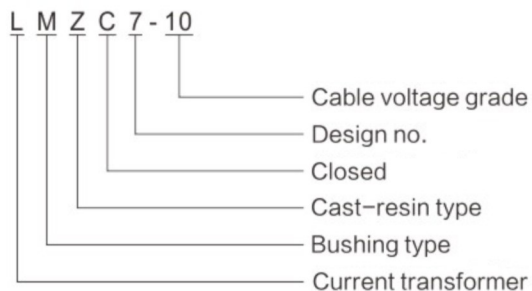
Use	Measuring current transformer				Protection current transformer		Double winding current transforme.					
	Accuracy class and rated load (VA)				Accuracy class and rated load (VA)		Accuracy class and rated load (VA)					
Rated primary current (A)	0.2S	0.2	0.5S	0.5	10P10	10P5	0.2S	0.2	0.5S	0.5	10P10	10P5
50				2.5		1.5						
75		1.5	3.75	3.75		2.5		1	1	1		1
100	1.5	5	5	5	1			1.5	1.5	1.5		1.5
150	5	7.5	7.5	3.75	1.5		1.5	1.5	1.5	1.5		1.5
200	10	10	10	7.5	2.5		1.5	1.5	1.5	1.5	1.5	
300	15	15	15	20	2.5		2.5	2.5	2.5	2.5	2.5	
400	20	15	10	30	2.5		2.5	2.5	2.5	2.5	2.5	
500	25	30	20	50	3.75		2.5	2.5	2.5	2.5	2.5	
600	30	40	30	60	5		2.5	5	5	5	2.5	

Overall dimension drawing





Meaning of Model

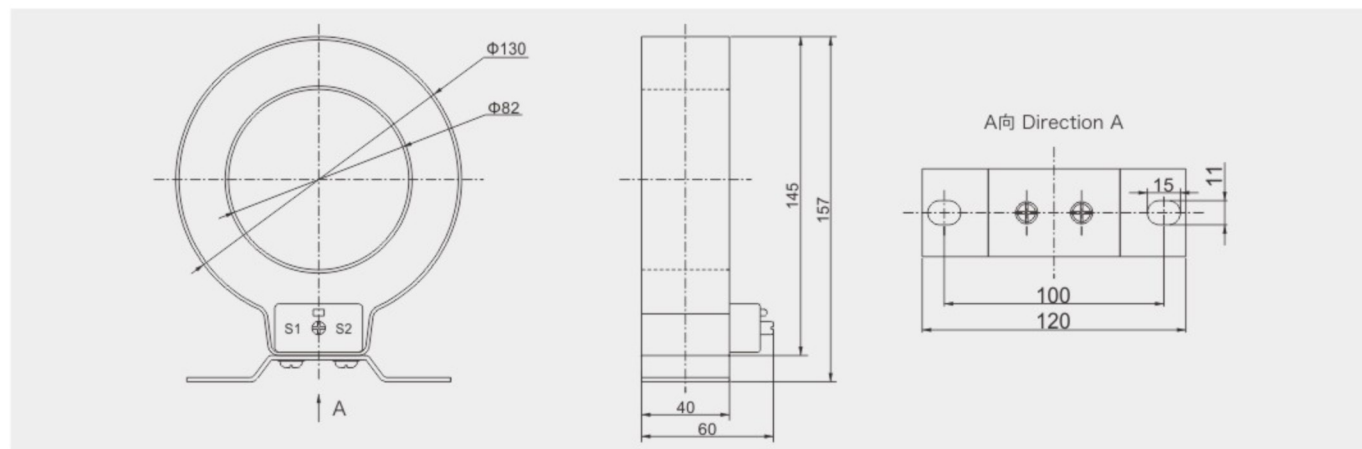


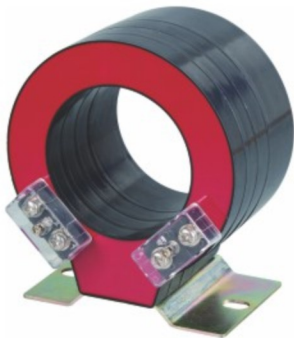
Technical data

Rated secondary current : 5A or 1A
 Rated frequency : 50Hz or 60Hz
 Rated continuous thermal current : 120%I_n
 Power factor of load : COSΦ=0.8(lag)
 Power frequency withstand voltage : 3kV 1min
 Environment temperature : -5℃~+40℃
 Average daily temperature : ≤35℃
 Altitude : ≤1000m
 Pollution level : II
 Product standard : GB20840.1、GB20840.2

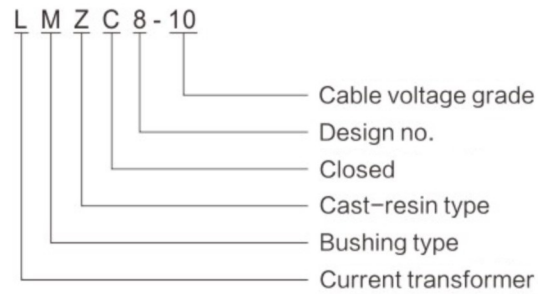
Use	Measuring current transformer				Protection current transformer	
	Accuracy class and rated load (VA)				Accuracy class and rated load (VA)	
Rated primary current (A)	0.2S	0.2	0.5S	0.5	10P10	10P5
50						
75			1	1.5		
100		1.5	1.5	1.5		
150	1.5	2.5	2.5	1.5		1.5
200	2.5	3.75	3.75	2.5		1.5
300	5	5	5	5		2.5
400	7.5	2.5	2.5	10		2.5
500	10	5	5	15		3.75
600	10	7.5	7.5	20		5

Overall dimension drawing





Meaning of Model



Technical data

Rated secondary current : 5A or 1A
 Rated frequency : 50Hz or 60Hz
 Rated continuous thermal current : 120%I_n
 Power factor of load : COSΦ=0.8(lag)
 Power frequency withstand voltage : 3kV 1min
 Environment temperature : -5℃~+40℃
 Average daily temperature : ≤35℃
 Altitude : ≤1000m
 Pollution level : II
 Product standard : GB20840.1、GB20840.2

Use	Measuring current transformer				Protection current transformer		Double winding current transformer					
	Accuracy class and rated load (VA)				Accuracy class and rated load (VA)		Accuracy class and rated load (VA)					
Rated primary current (A)	0.2S	0.2	0.5S	0.5	10P10	10P5	0.2S	0.2	0.5S	0.5	10P10	10P5
50				2.5		1.5						
75		3.75	2.5	1.5		1.5						
100		5	5	5	1.5							
150	5	7.5	7.5	2.5	1.5							
200	10	10	10	5	2.5		1.5	1.5	1.5	1.5	1.5	
300	15	15	15	15	3.75		2.5	2.5	2.5	2.5	2.5	
400	20	10	5	20	3.75		2.5	2.5	2.5	2.5	2.5	
500	25	15	15	30	5		2.5	2.5	2.5	2.5	2.5	
600	30	20	20	60	7.5		2.5	2.5	2.5	5	2.5	

Overall dimension drawing

