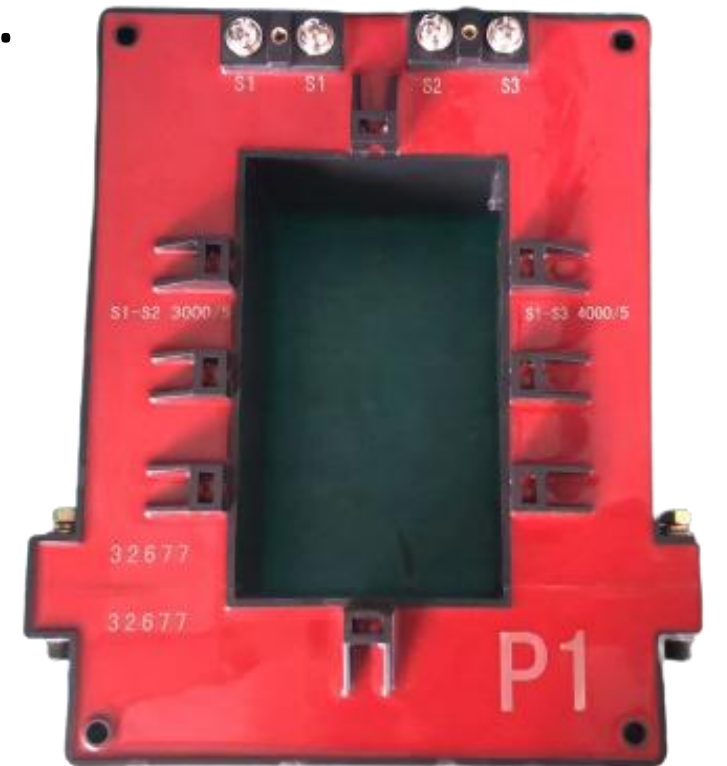


Split-Core Current Transformer

LMDK Series are designed for biggest current and burden. Which has the characteristics of divisible iron core and small magnetic circuit loss. Its separate iron core and secondary winding are vacuum-poured by high quality epoxy resin in the flame-retardant plastic casing, which is stable in performance and requires no maintenance.



Split-Core Current Transformer models :

LMDK-1- inner hole size 52*83mm

LMDK-2- inner hole size 81.5*136mm

LMDK-3- inner hole size 105*167mm

Features:

Rated Primary Current:

300A to 12000A

Secondary Output: 1A or 5A

- Laser printing available
- Cables or bus-bar available
- Cutting surface: smooth as mirror
- Reinforce by screw tightly.
- As it is a split-core type, there is no need to cut off the power.
- The secondary winding can not be open-circuited in service for all CT.

- Frequency: 50Hz or 60Hz
- Rated continuous thermal Current: $120\%I_n$
- Power factor of load: $\text{COS } \Phi = 0.8(\text{lag})$
- Environment temperature: $-20^{\circ}\text{C} \sim 55^{\circ}\text{C}$
- Product standard: IEC60044-1, IEC61869-2 and ANSI/IEEE C57.13.
- Construction:
 - Core material: Silicon Steel core(CRGO)
 - Casing material: ABS flame retardant
 - Pure copper wire

Specifications:

Frequency: 50Hz or 60Hz

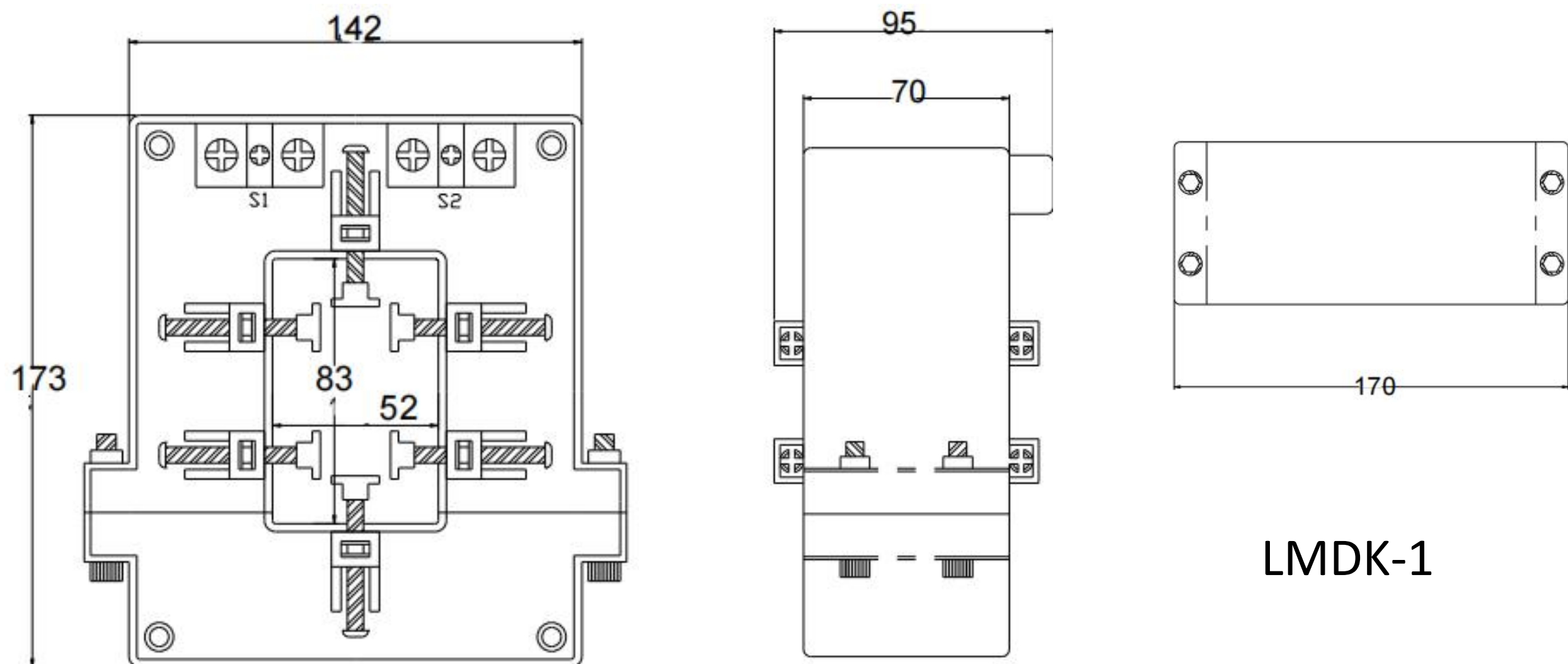
Performance:

Accuracy Class: 0.2s 0.2 0.5S 0.5

5P10 5P20 10P5 10P10 10P20

Capacity: 5VA to 60VA

Outline drawing:

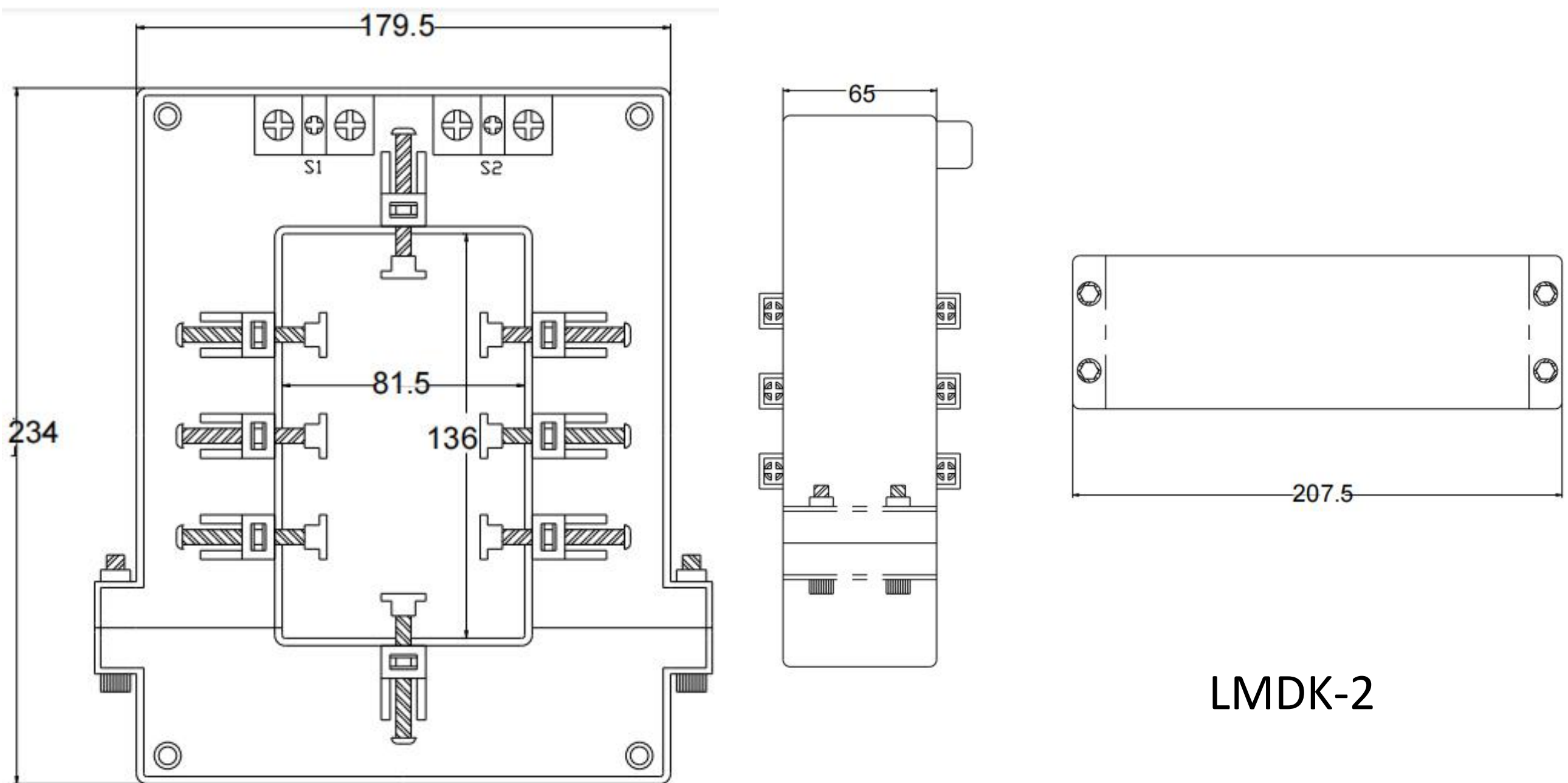


LMDK-1

Model	Purpose	For measuring			For protection	
	Rated primary current (A)	Class and capacity (VA)			Class and capacity (VA)	
		0.2	0.5	1	10P20	10P10
LMDK-1	100/5			1.5		1.5
	150/5			5		3.75
	200/5		5			5
	250/5		5			5
	300/5		7.5		2.5	7.5
	400/5		10		2.5	10
	500/5		10		3.75	12.5
	600/5		15		5	15
	800/5		20		5	15
	1000/5	10	30		7.5	20
	1500/5	10	40		10	30

ZHIKAI ELECTRIC

LMDK Series Split-Core Current Transformer

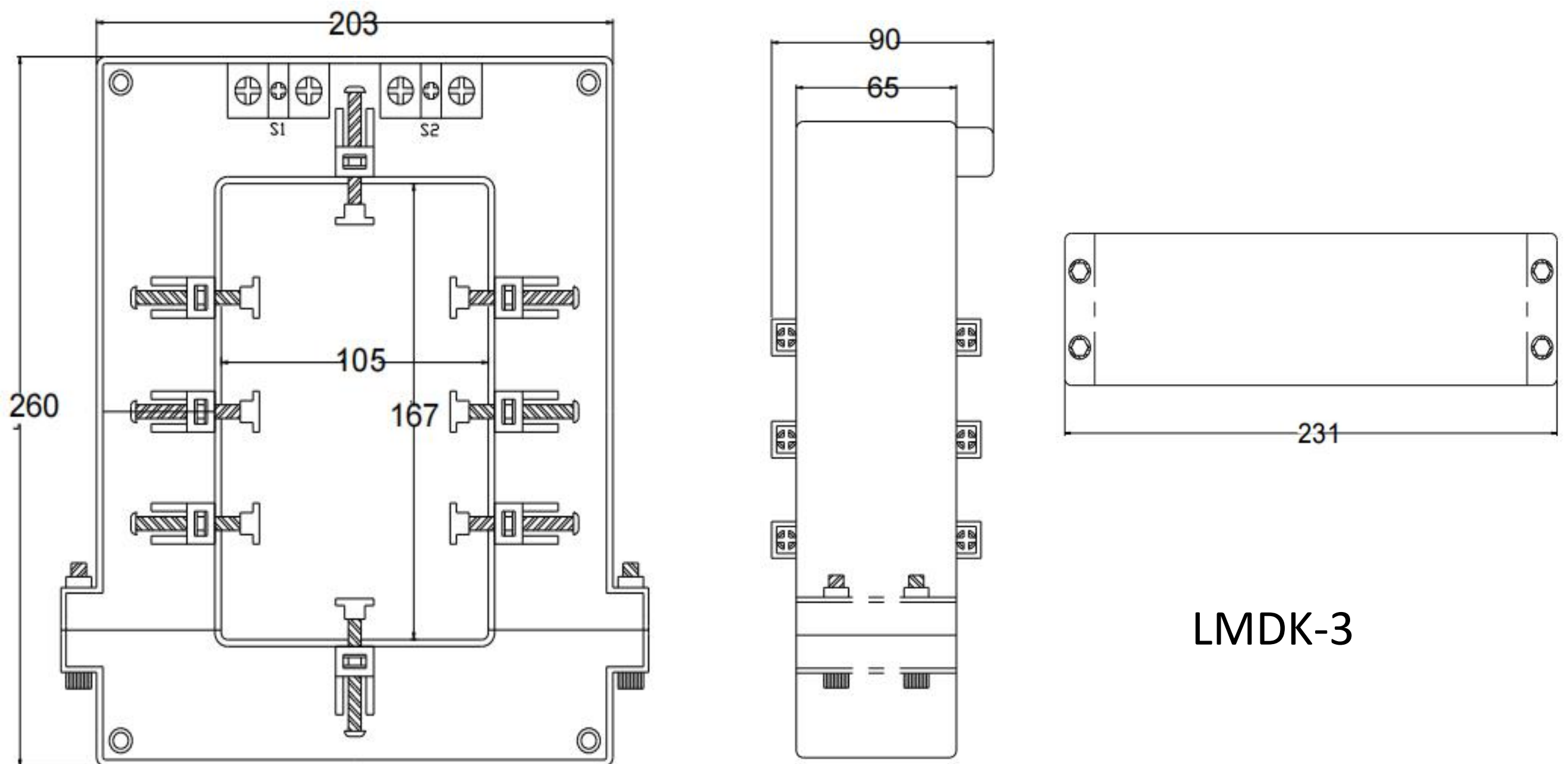


LMDK-2

Model	Purpose	For measuring			For protection	
	Rated primary current (A)	Class and capacity (VA)			Class and capacity (VA)	
		0.2	0.5	1	10P20	10P10
LMDK-2	1000/5	10	30		5	20
	1500/5	10	30		10	30
	2000/5	15	40		15	40
	2500/5	15	50		15	50
	3000/5	20	50		20	60

ZHIKAI ELECTRIC

LMDK Series Split-Core Current Transformer



LMDK-3

Model	Purpose	For measuring			For protection	
	Rated primary current (A)	Class and capacity (VA)			Class and capacity (VA)	
		0.2	0.5	1	10P20	10P10
LMDK-3	2000/5	15	40		15	40
	3000/5	20	50		20	50
	4000/5	30	60		20	50
	5000/5	30	60		20	60
	6000/5	30	60		20	60

Note: The current ratio above are common type, other specifications can be provided according to customers' requirements.