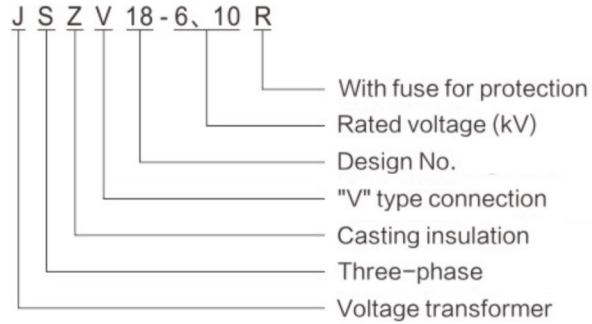




Meaning of Model

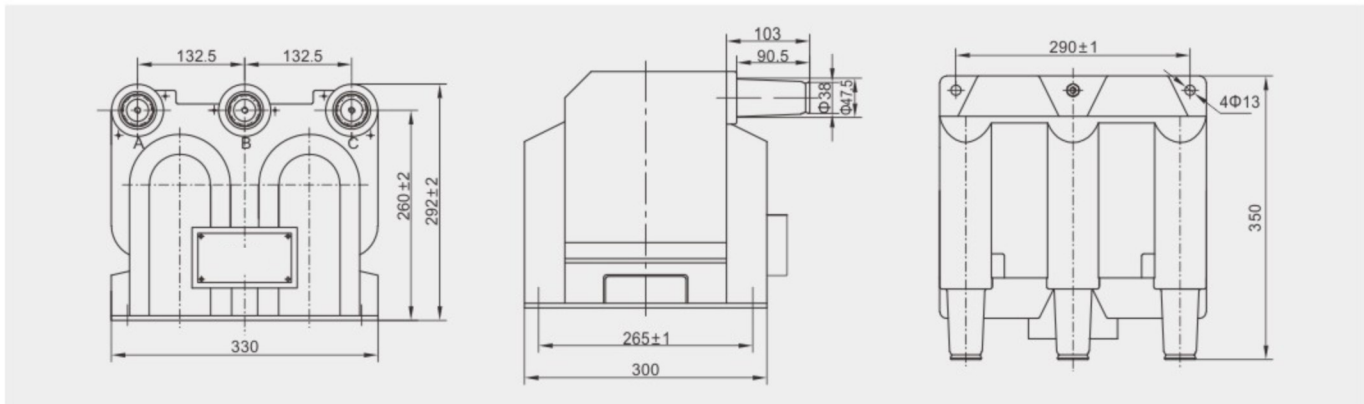


Technical data

Rated voltage ratio (V)	Accuracy class Three-phase rated secondary output	Max.output (VA)	Rated insulation level(kV)	Wiring diagram
6000/100	0.2---40	400	7.2/32/60	Figure 1
10000/100	0.5---100		12/42/75	
	1---150			
6000/100/100	0.2/0.2---15/15	300/300	7.2/32/60	Figure 2
10000/100/100	0.2/0.5---15/20		12/42/75	
	0.5/0.5---20/20			
10000/100/220	0.2/3---30/250	300/500	12/42/75	
	0.5/3---80/250			

Note: The first wiring point connection mode: JSZV18-6、10R first wiring point and 200A American type heavy-calibre elbow piug cooperate.

Overall dimension drawing



Wiring diagram

