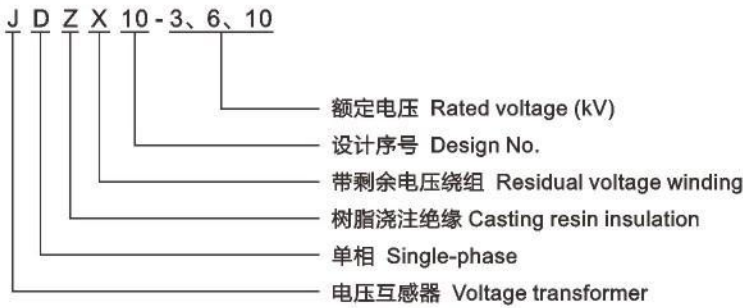


## 型号含义 Meaning of Model

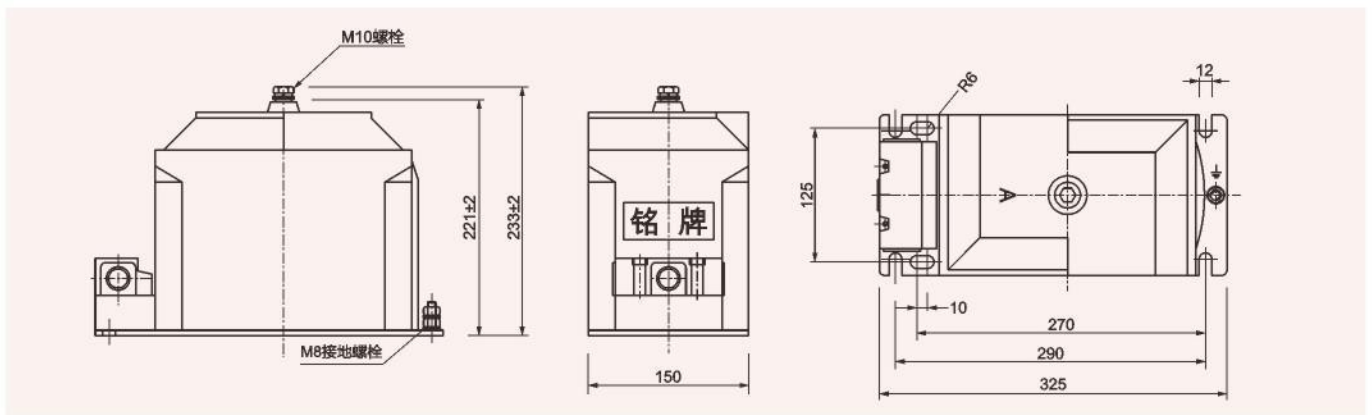


## 技术参数 Technical data

额定频率	Rated frequency:	50-60HZ
环境温度	Ambient temperature:	-5℃~+40℃
产品性能符合标准	Product performance meets the standard:	GB/T20840.1、3, IEC 61869-1、3

型号 Type	额定电压比 Rated voltage ratio (V)	准确级及准确级组合额定二次输出 Accuracy class and accuracy class combination rated secondary output (VA)	极限输出 Max.output (VA)	额定绝缘水平 Rated insulation level (kV)	备注 Notes	接线图 Wiring diagram
JDZX10-3	$\frac{3000}{\sqrt{3}} / \frac{100}{\sqrt{3}} / \frac{100}{3}$	0.2/6P--15/50 0.5/6P--30/50 1/6P--60/50	200	3.6/25/40	等同REL Same REL	图1 Figure 1
JDZX10-6	$\frac{6000}{\sqrt{3}} / \frac{100}{\sqrt{3}} / \frac{100}{3}$		200	7.2/32/60		
JDZX10-10	$\frac{10000}{\sqrt{3}} / \frac{100}{\sqrt{3}} / \frac{100}{3}$		300	12/42/75		

## 外形及安装尺寸 Overall dimension drawing



## 接线图 Wiring diagram

