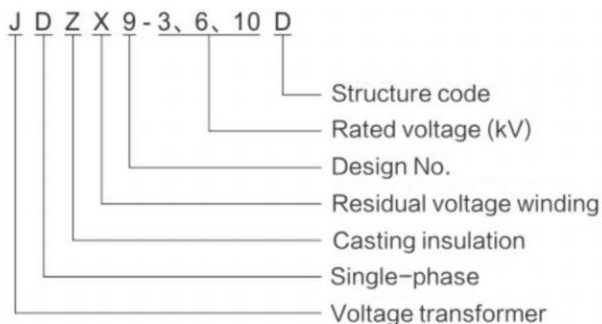




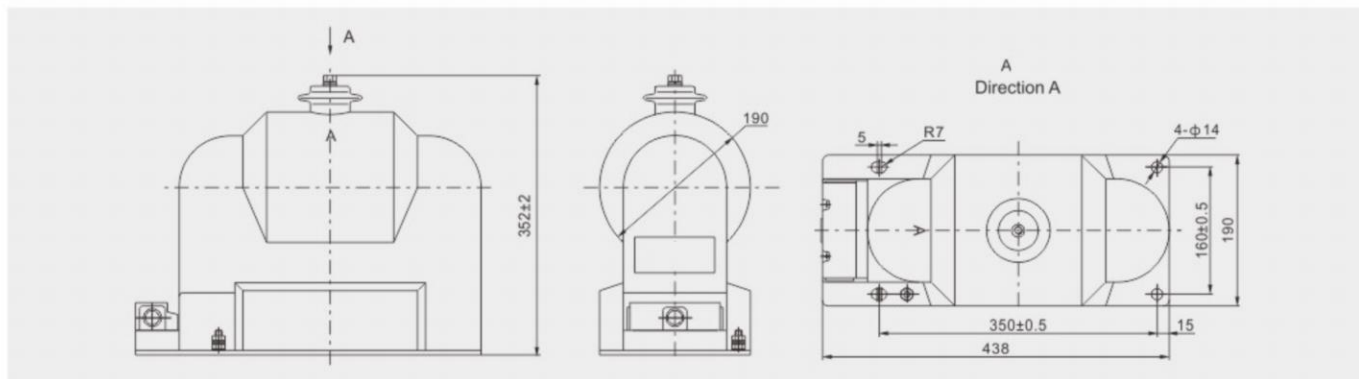
Meaning of Model



Technical data

Rated voltage ratio (V)	Rated secondary output(VA)							Max.output (VA)	Rated insulation level(kV)	Wiring diagram
	0.2	0.5	1级	3级	0.2/0.2 0.2/0.5	0.5/0.5	6P			
$\frac{3000}{\sqrt{3}} / \frac{100}{\sqrt{3}} / \frac{100}{3}$	60	100	250	600	/	/	150	800	3.6/25/40	Figure 1
$\frac{6000}{\sqrt{3}} / \frac{100}{\sqrt{3}} / \frac{100}{3}$									7.2/32/60	
$\frac{10000}{\sqrt{3}} / \frac{100}{\sqrt{3}} / \frac{100}{3}$									12/42/75	
$\frac{10000}{\sqrt{3}} / \frac{100}{\sqrt{3}} / \frac{100}{\sqrt{3}} / \frac{100}{3}$	/	/	/	/	30/30 30/50	60/60	400/400		Figure 2	

Overall dimension drawing



Wiring diagram

